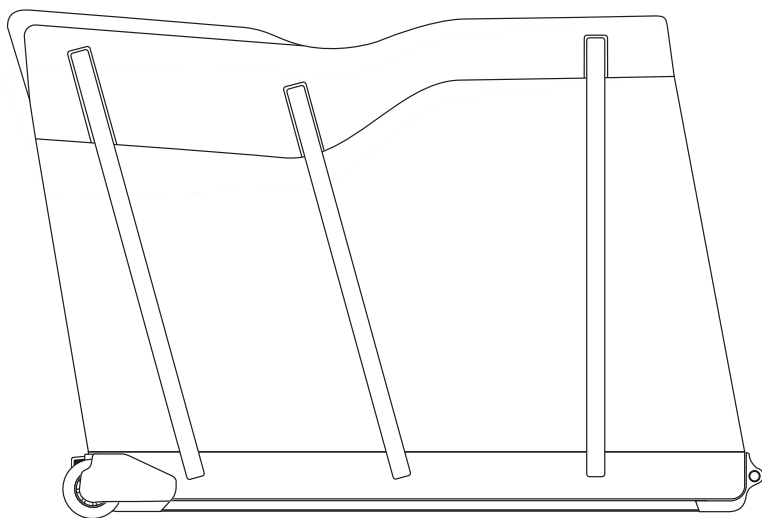




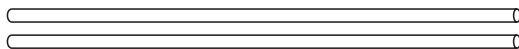
PROTECTIVE SPORTS PACKS



INSTRUCTION MANUAL
FOR PACKING A ROAD- OR TRIATHLON BIKE IN YOUR
ROAD BIKE BAG PRO

ENCLOSED PARTS ROAD BIKE BAG PRO

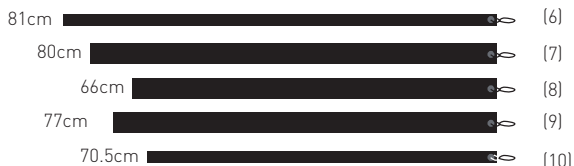
2 x TUBE STICKS



5 x STABILIZER
STICKS WITH
PULL-TAG



5 x STABILIZER
STICKS WITH
PULL-CORD



4 x WEBBING LOOPS



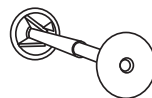
1 x CLIP-ON WHEEL



1 x COCKPIT PAD



1 x SIDE IMPACT
ABSORBER



TOOLS NEEDED



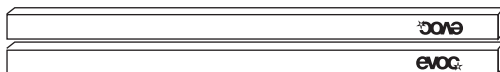
PEDAL WRENCH



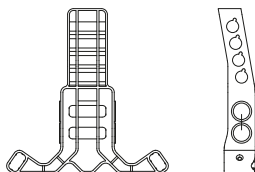
ALLEN KEYS

ENCLOSED PARTS BIKE STAND

2 x ALUMINIUM RAILS



2 HUBS



ENCLOSED PARTS BIKE STAND

LOWER AXLE ADAPTERS:

2 x QR 5 mm

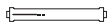


2 x Thru axle 12 mm



UPPER AXLE ADAPTERS:

5 x 130 mm



5 x 100mm



12 x 142 mm



12 x 100mm



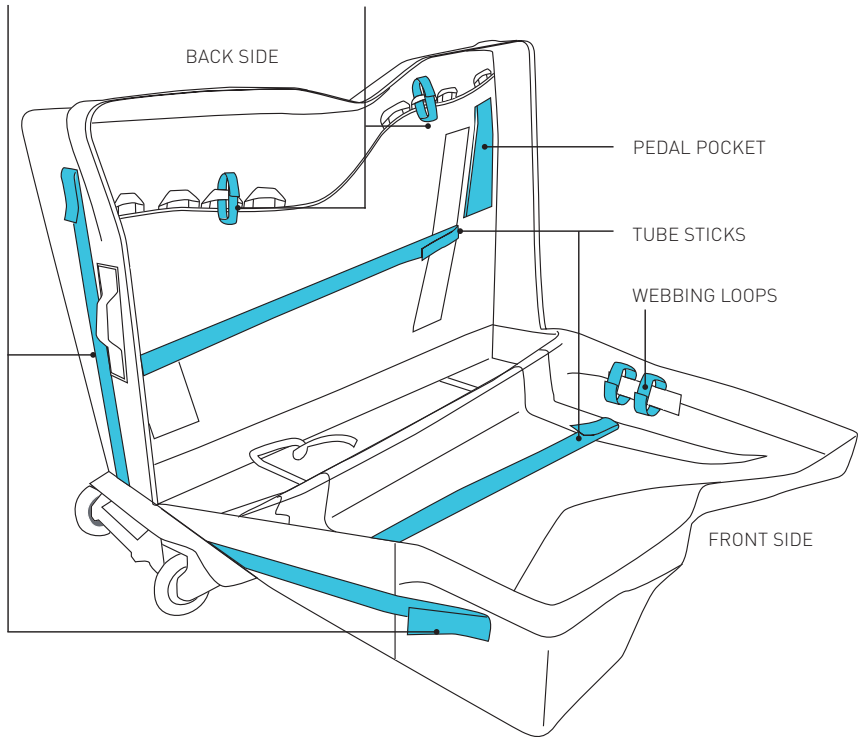
12 x 135 mm



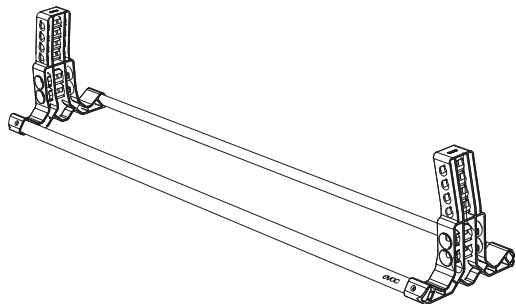
ROAD BIKE BAG PRO

STABILIZER STICKS

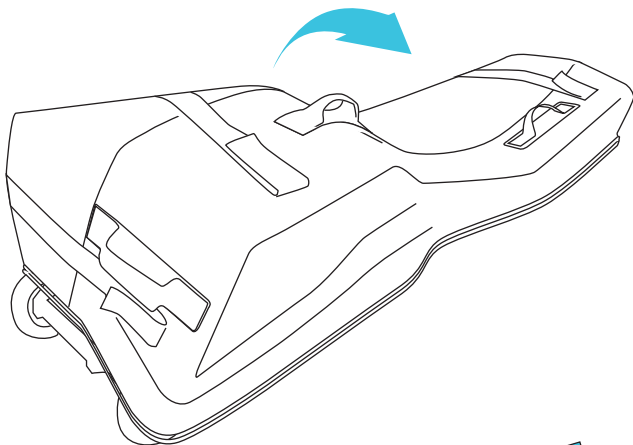
WEBBING LOOPS



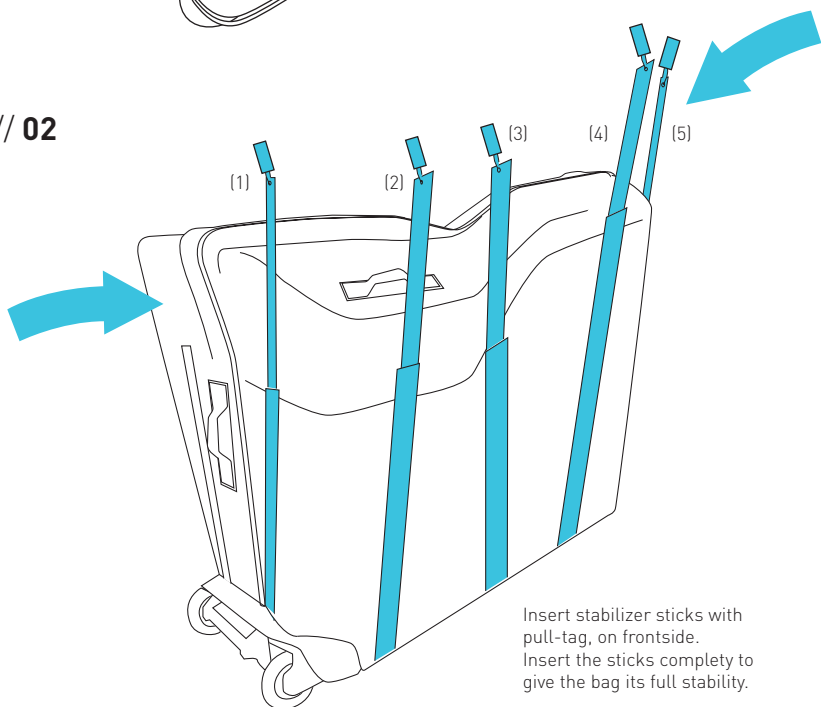
ROAD BIKE STAND



// 01

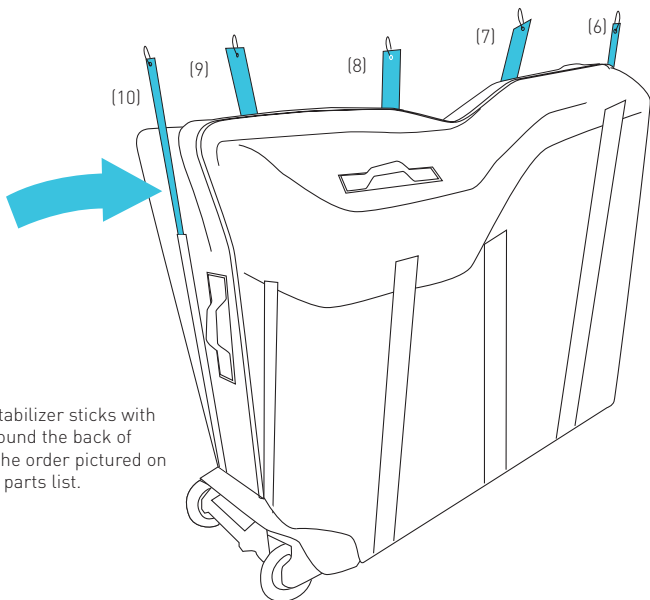


// 02



Insert stabilizer sticks with pull-tag, on frontside. Insert the sticks completely to give the bag its full stability.

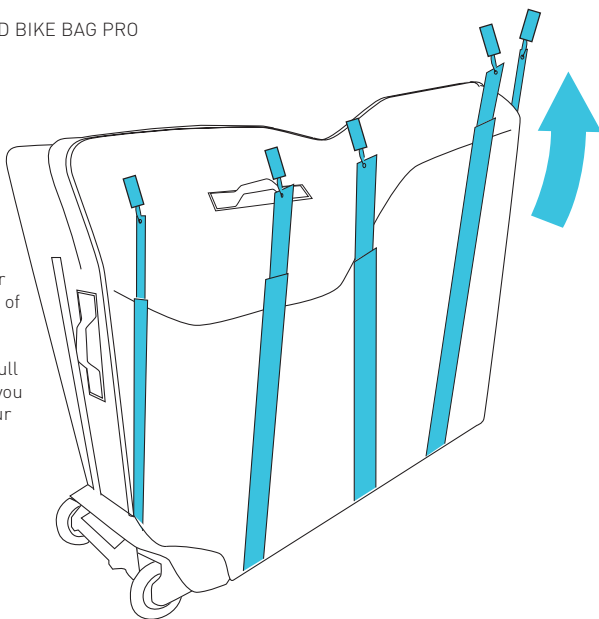
// 03



Now insert stabilizer sticks with pull-cord, around the back of your bag, in the order pictured on the enclosed parts list.

HOW TO OPEN YOUR ROAD BIKE BAG PRO

// 04

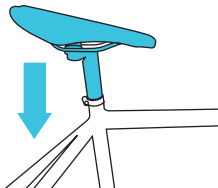


To open your ROAD BIKE BAG PRO pull the stabilizer sticks with pull-tag out 1/3 of their length.

IMPORTANT: If you don't pull out the sticks far enough, you will not be able to open your bag properly.

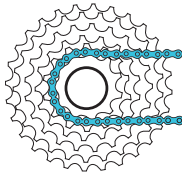
BIKE PREPARATION

// 05



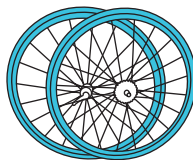
If needed lower, or remove your bicycle saddle

// 06



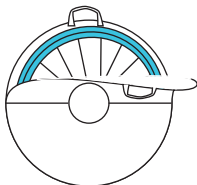
Chain on smallest sprocket

// 07



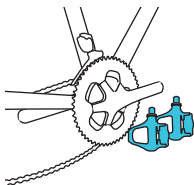
Remove both wheels

// 08



Place wheels in wheel bags

// 09



Remove both pedals

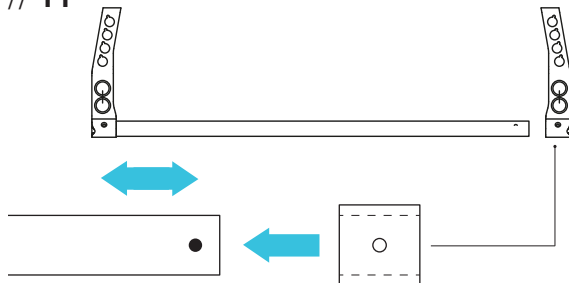
// 10



Put pedals in pedal pocket

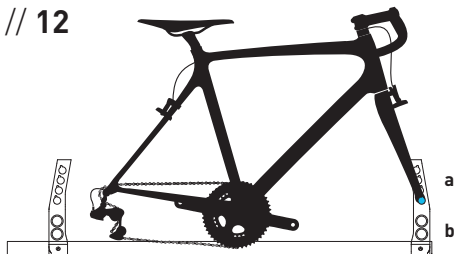
HOW TO ASSEMBLE YOUR ROAD BIKE STAND

// 11



MOUNTING YOUR BIKE ON ROAD BIKE STAND

// 12



Place fork on front hub with correct front axle adapters. Tighten your front axle.

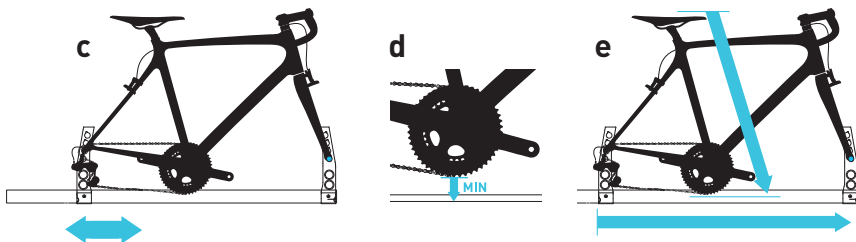
// 13



a) Top level

b) Low level

// 14



c) Adjust position of rear hub according to your wheel base.

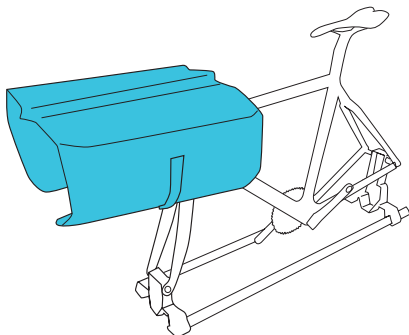
Place rear drop-outs on rear hub with correct rear axle adapter. Tighten your rear axle.

d) Always choose lowest possible level at rear hub according to chain wheel size.

e) Maximum length from seat top to bottom of chainring is 86cm.

Maximum wheel base is 112cm.

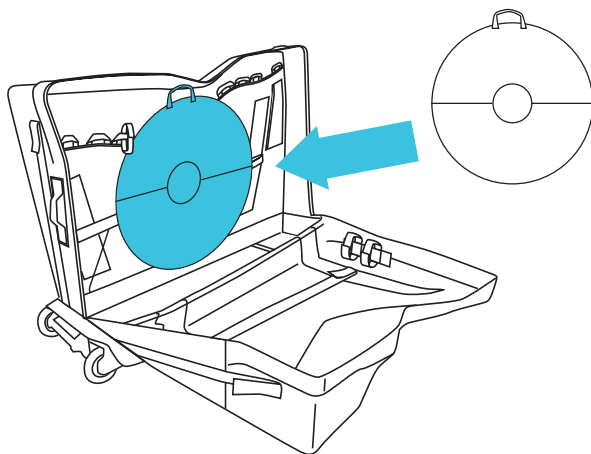
// 15

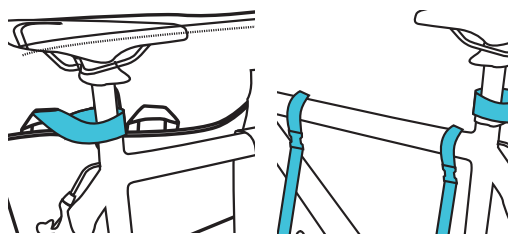
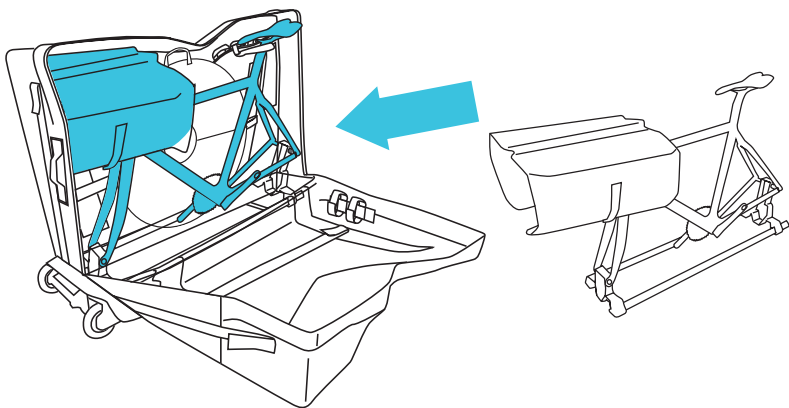


Fix COCKPIT PAD

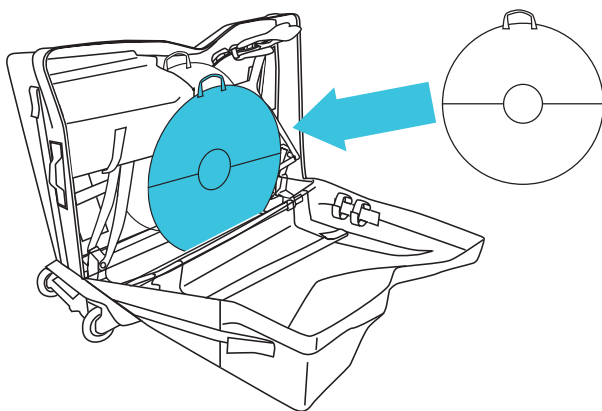
// 16

Place your bike and WHEEL BAGS in your ROAD BIKE BAG PRO (one WHEEL BAG behind and one in front of your bike)

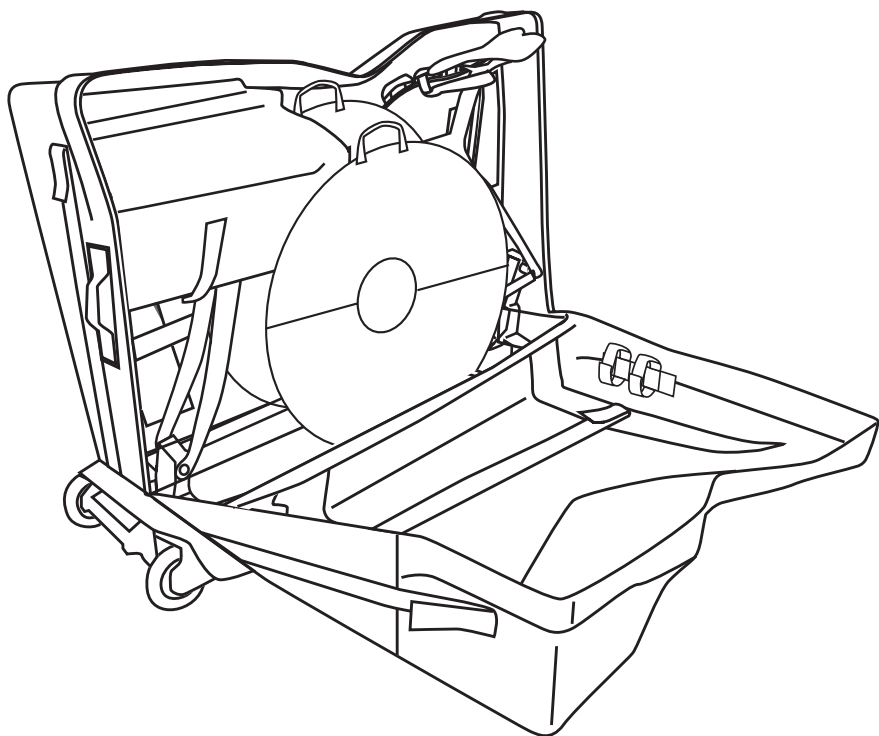




Fix your bike with red straps



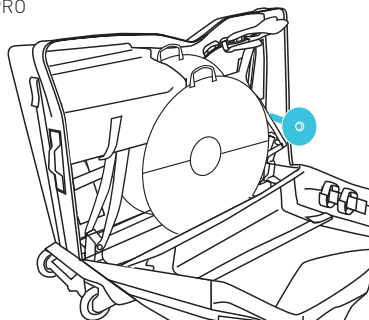
// 17



Looks like this?
Almost done!

ROAD BIKE BAG PRO

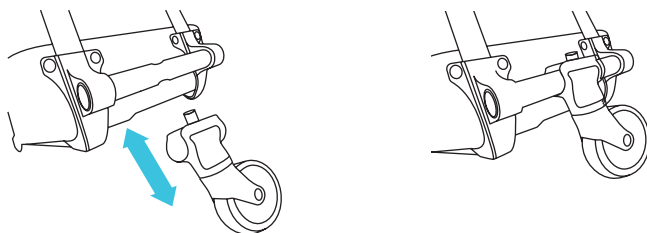
// 18



Attach SIDE IMPACT ABSORBER using the velcro strips inside your ROAD BIKE BAG PRO. Adjust the length of the absorber according to the width of your bike.

HOW TO USE THE CLIP-ON WHEEL

// 19



Click CLIP-ON WHEEL to ALUMINIUM FRONT HANDLE SYSTEM. Pin has to go into feed holes!

Remove CLIP-ON WHEEL before luggage drop and put back into the outside pocket at the front of your ROAD BIKE BAG PRO

WARRANTY AND AFTER SALES SERVICE



WARRANTY
www.evocsports.com/service/warranty