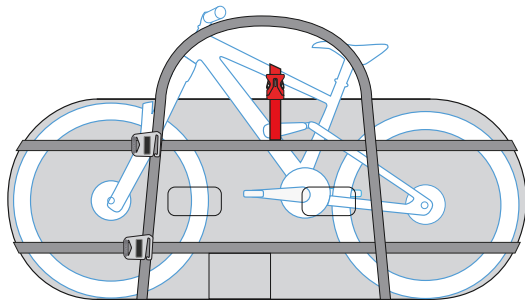




PACKING INSTRUCTIONS - EVOC BIKE COVER

Method of packing 1: complete bike
(e.g. to store in hotel room / at home)

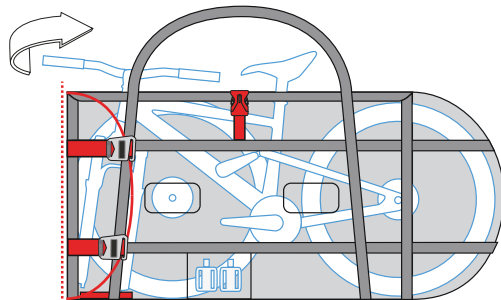


1. Completely open zipper of BIKE COVER
2. Store bike in BIKE COVER
3. Close buckle between handle bar and saddle
4. Close zippers to handle bar and saddle

Information:

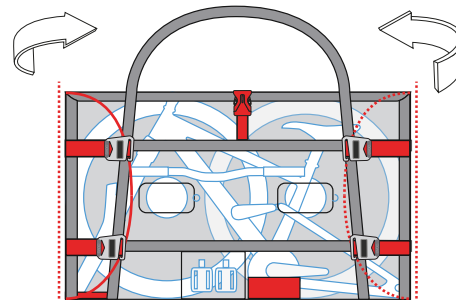
No bottom bracket block and forkplate needed!

Method of packing 2: front wheel off
(e.g. to transport in your car)



1. Remove pedals and put them into extra pocket
2. Position forkplate on BIKE COVER bottom (velcro fixation)
3. Remove front wheel
4. Place bike in BIKE COVER - rotate fork 90°
5. Place front wheel in side compartment
6. Close buckle on top of BIKE COVER
7. Close BIKE COVER with zipper
8. Reverse front cover part and fix it with hooks on the front

Method of packing 3: both wheels off
(e.g. for travelling by train)



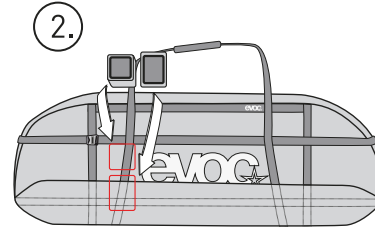
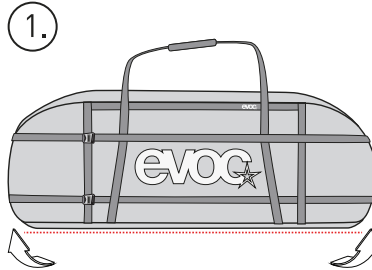
1. Remove pedals and put them into extra pocket
2. Position forkplate on BIKE COVER bottom (velcro fixation)
3. Position bottom bracket on BIKE COVER bottom (velcro fixation)
4. Remove front and back wheel
5. Position bike on fork plate and bottom bracket block inside BIKE COVER
6. Remove handle bar and put it into BIKE COVER
7. Put wheels in side compartments
8. Close buckle on top
9. Close BIKE COVER with zipper
10. Flip over front and back and fix it with hooks

Optional:

Remove rear derailleur



STORAGE INSTRUCTIONS - EVOC BIKE COVER



Put bike block & fork plate inside BIKE COVER

